



Request for Proposal("RFP")

Brenham Municipal Airport Terminal Building HVAC Replacment

RFP NO. 24-001– Addendum No. 1 Attachment B plans

Attachment B Plans:

- Under Scope of Work, Contractor shall furnish all parts, labor, and workmanship necessary to install new ventilation hood according to Swoboda Engineering. (Attachment B)

Attachment B was inadvertently left out of the packet.

FOR QUESTIONS, CALL THE
Houston Mechanical
REGION 126
PHONE: (346) 330-2007
EMAIL: reg126@captiveaire.com

HOOD INFORMATION - JOB#6141620

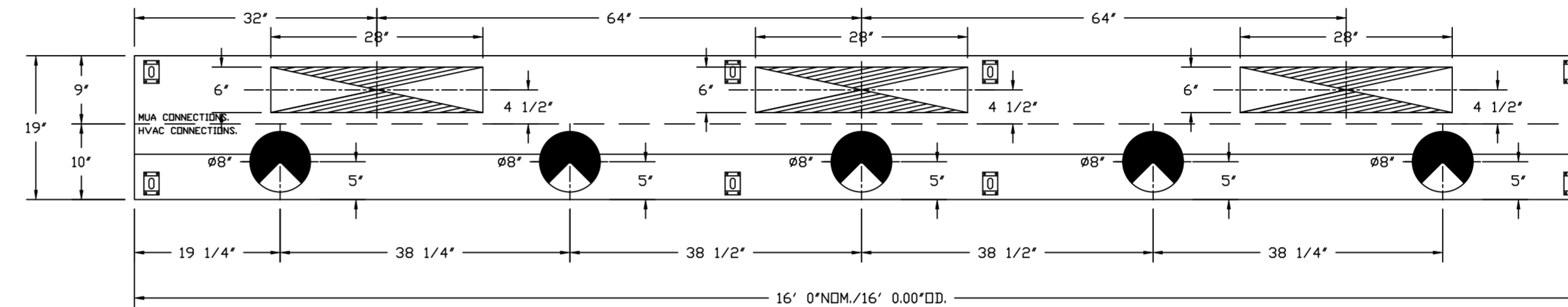
HOOD NO	TAG	MODEL	MANUFACTURER	LENGTH	MAX COOKING TEMP	TYPE	APPLIANCE DUTY	DESIGN CFM/FT	TOTAL EXH CFM	EXHAUST PLENUM RISER(S)						TOTAL SUPPLY CFM	HOOD CONSTRUCTION	HOOD CONFIG	
										WIDTH	LENG	HEIGHT	DIA	CFM	VEL			SP	END TO END
1		196 MISC ACPSP-ONLY	CAPTIVEAIRE	16' 0"	300 DEG	I	N/A	0	0						1200	430 SS WHERE EXPOSED	ALONE	ALONE	

HOOD INFORMATION

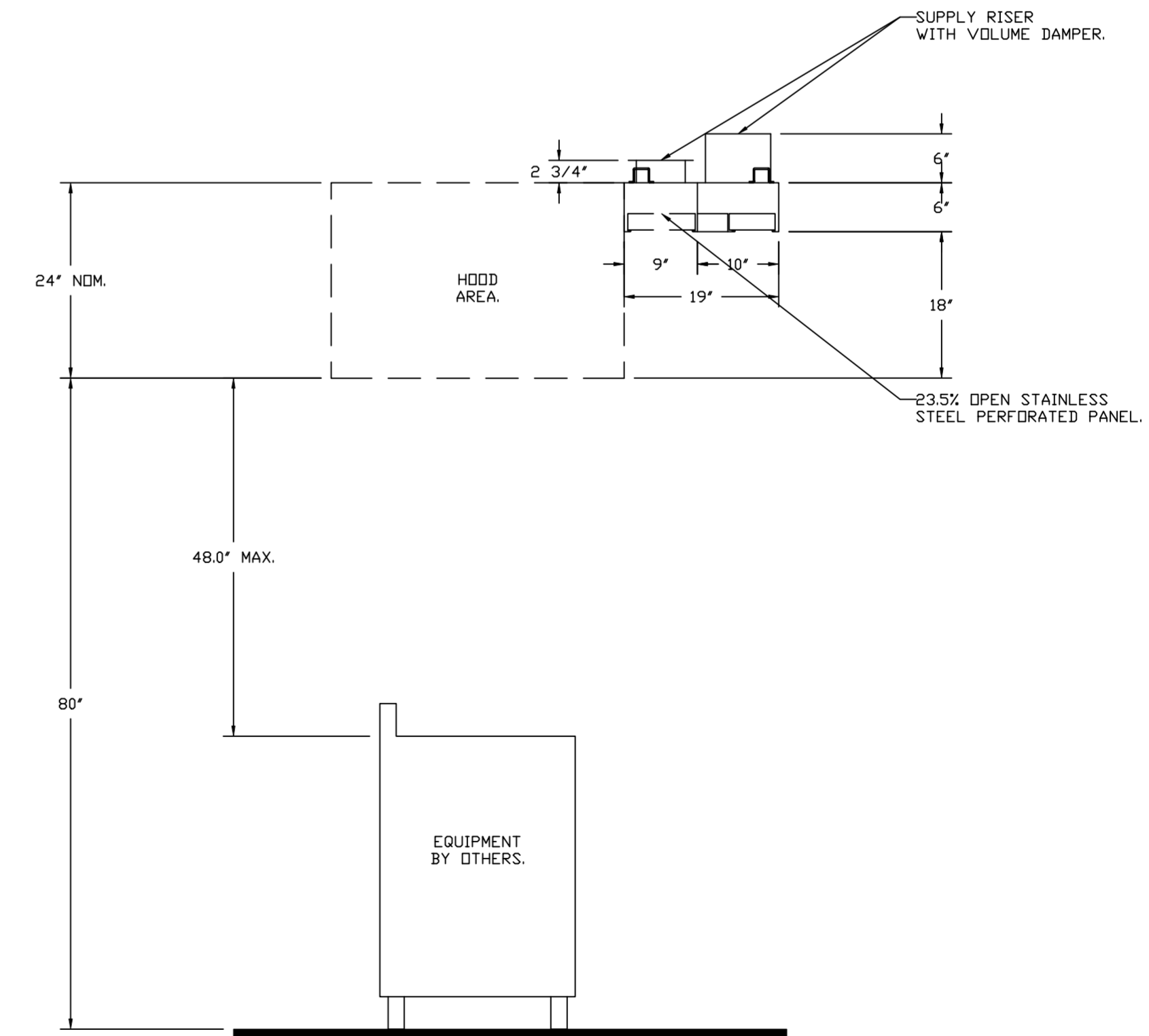
HOOD NO	TAG	FILTER(S)					LIGHT(S)				UTILITY CABINET(S)				FIRE SYSTEM PIPING	HOOD HANGING WEIGHT
		TYPE	QTY	HEIGHT	LENGTH	EFFICIENCY @ 7 MICRONS	QTY	TYPE	WIRE GUARD	LOCATION	SIZE	TYPE	SIZE	ELECTRICAL MODEL #		
1						0									NO	211 LBS

PERFORATED SUPPLY PLENUM(S)

HOOD NO	TAG	POS	LENGTH	WIDTH	HEIGHT	TYPE	RISER(S)			
							WIDTH	LENG	DIA	CFM
1	Front	192'	10'	6'	AC			8"	159	0.077'
					AC			8"	159	0.077'
					AC			8"	159	0.077'
					AC			8"	159	0.077'
					AC			8"	159	0.077'
	Back	192'	9'	6'	MUA	6"	28"		400	0.110'
					MUA	6"	28"		400	0.110'
					MUA	6"	28"		400	0.110'



PLAN VIEW - HOOD #1
16' 0.00" LONG 196MISC ACPSP-ONLY



SECTION VIEW - MODEL 196MISC ACPSP-ONLY
HOOD - #1

REVISIONS	
DESCRIPTION	DATE

www.captiveaire.com
Houston Mechanical
3302 Canal St., Suite 53, Houston, TX, 77003 PHONE: (346) 330-2007 FAX: 9195168746 EMAIL: reg126@captiveaire.com

Brenham Airport AC-PSP Only
BRENHAM, TX, 77833

DATE: 8/1/2023
DWG.#: 6141620
DRAWN BY: FJ
SCALE: 3/4" = 1'-0"
MASTER DRAWING

SHEET NO.
1